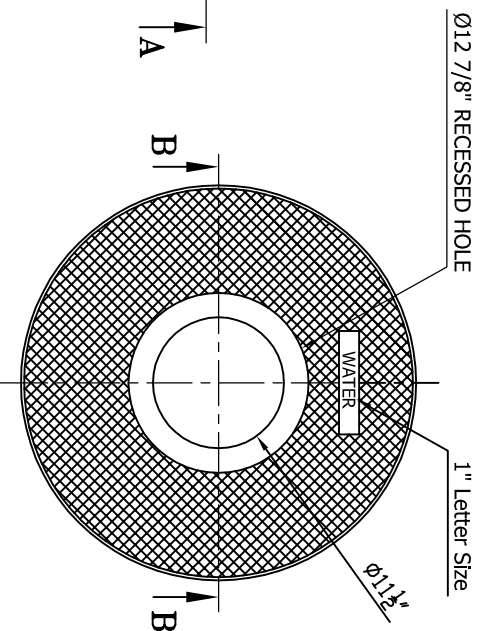
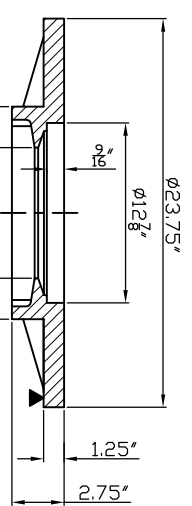


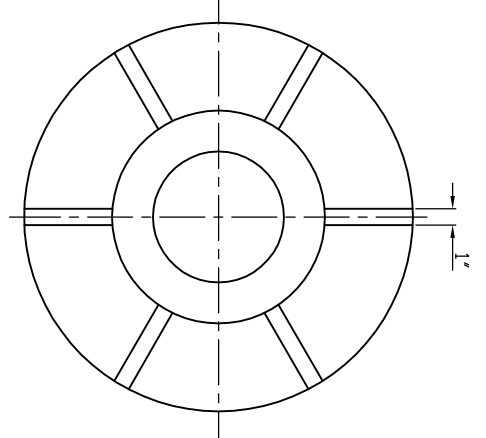
**SECTION A-A**



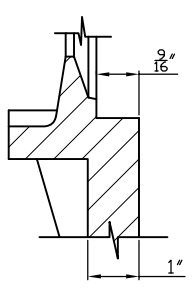
**COVER (TOP VIEW)**



**SECTION B-B**



**COVER (BACK VIEW)**



**ENLARGED VIEW**

Drawn By	K.S.	Ckd. By	A.S.R.	Dwg. No.-	
Name	18.07.13	Date	18.07.13	Weight:-	F - 160 kgs / 352 lbs
Sign					C - 50 kgs / 110 lbs
Coating:-	Black Bituminous				Material-
Black Bituminous	Drawing Description-				CAST IRON
24" x 40" FRAME & LID	Water Meter Box				
Water Meter Box	Loading-				
	Specification- ASTM A48 CL 30B				
	Scale - NTS Sheet - 1 OF 1				

RevNo	Revision note	Date	Signature	Checked	All Dimension are in Inch
1					
2					
3					
4					
5					
6					
7					
8					

**NIF ISPAT LIMITED**  
 P-260,261&261/1 BENARAS ROAD  
 HOWRAH - 711108 INDIA  
 FAX: 033 - 2651 1780



THE INFORMATION TRANSMITTED BY THE PROPRIETARY AND CONFIDENTIAL PROPERTY OF NIF ISPAT LIMITED MAY NOT BE DUPLICATED, DISCLOSED, OR UTILIZED WITHOUT WRITTEN CONSENT FROM NIF ISPAT LIMITED.